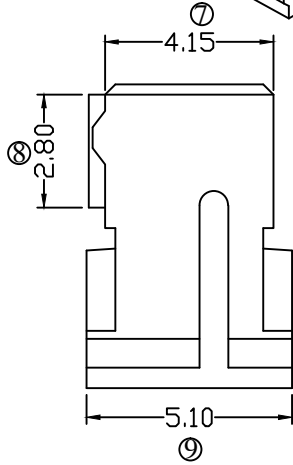
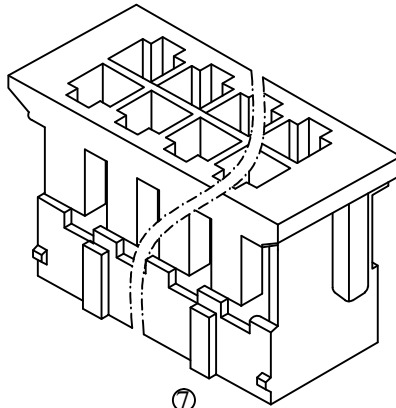
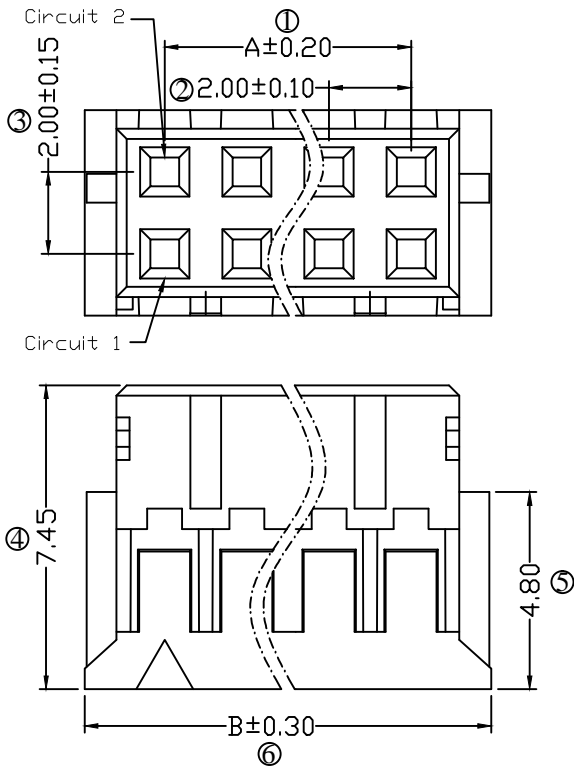


环保物料



■ Specifications(规格) :

- Voltage rating(额定电压): 250V AC / DC
- Current rating(额定电流): 3A AC / DC
- Withstanding voltage(耐压值): 800V AC/minute
- Temperature range(工作温度): -25°C~+85°C
- Insulation resistance(绝缘电阻):  $\geq 1000M\Omega$
- Contact resistance(接触电阻):  $\leq 10m\Omega$
- After environmental testing(环境测试后):  $\leq 20m\Omega$

■ Housing(胶壳)

- Part No. (料号) :J2002H-2\*XXP
- Poles (PIN数) : 4-44
- Material (材质) : Nylon 66 (尼龙66) UL 94V-0
- Suitable HLB J2002T Series Terminal(匹配J2002T系列端子)
- Mates With HLB J2002W/J2002WR Series Dual Row Wafer (匹配J2002R/J2002WR双排系列针座)
- Q'ty (数量) : 1,000Pcs/Bag/每袋 (1,000Pcs)

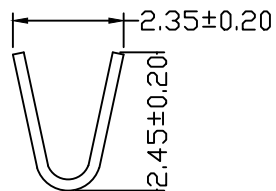
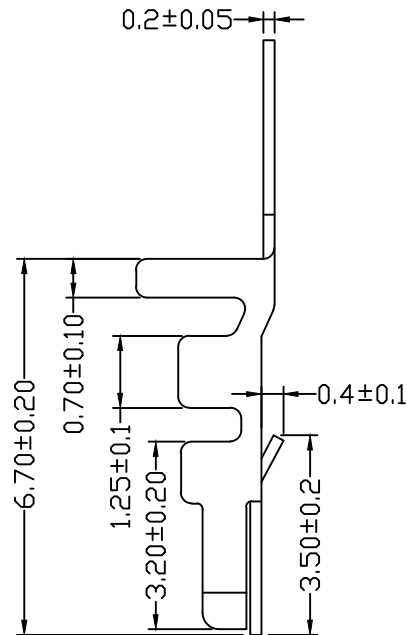
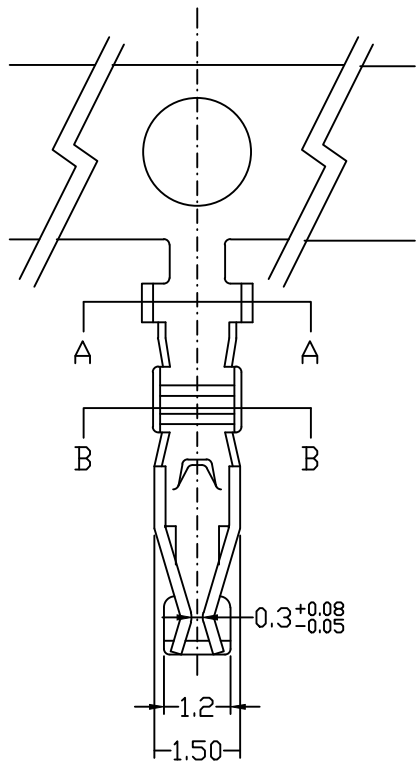
2026H00-2\*XXPX

① ②③④ ⑤ ⑥

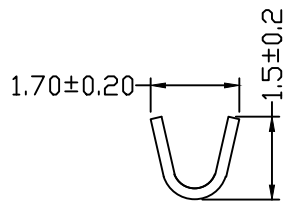
- ① 系列
- ② 类别:  
H-HSG B-BASE K-塞KEY C-盖扣
- ③ 外观形态:  
0-180° 9-90°
- ④ 塑胶防火等级:  
0-UL94V-0 2-UL94V-2
- ⑤ PIN数或防呆KEY形态
- ⑥ 颜色:  
空码-本色 A-黑色 B-棕色 C-大红色  
D-橙色 E-黄色 F-绿色 G-蓝色  
H-紫色 J-灰色 K-白色 M-米黄色  
N-咖啡色 P-浅蓝色 Q-暗红色 S-SMT TYPE

Poles	Part No.	Dimension(mm)		Poles	Part No.	Dimension(mm)	
		A	B			A	B
04	2026H00-2*02P	2.00	5.90	26	2026H00-2*13P	24.00	27.90
06	2026H00-2*03P	4.00	7.90	28	2026H00-2*14P	26.00	29.90
08	2026H00-2*04P	6.00	9.90	30	2026H00-2*15P	28.00	31.90
10	2026H00-2*05P	8.00	11.90	32	2026H00-2*16P	30.00	33.90
12	2026H00-2*06P	10.00	13.90	34	2026H00-2*17P	32.00	35.90
14	2026H00-2*07P	12.00	15.90	36	2026H00-2*18P	34.00	37.90
16	2026H00-2*08P	14.00	17.90	38	2026H00-2*19P	36.00	39.90
18	2026H00-2*09P	16.00	19.90	40	2026H00-2*20P	38.00	41.90
20	2026H00-2*10P	18.00	21.90	42	2026H00-2*21P	40.00	43.90
22	2026H00-2*11P	20.00	23.90	44	2026H00-2*22P	42.00	45.90
24	2026H00-2*12P	22.00	25.90				

				一般公差 GENERAL TOLERANCE				东莞市翰皓精密电子有限公司 Dongguan HanHao Precision Electronics Co.,Ltd				料号 PART NO J2002H-2*XX			
				.X ±0.3 .XX ±0.2 .XXX ±0.1				核准 APPD 审核 CHK 绘图 DR 日期 DATA				品名 TITLE 2.0 mm Crimp Style connectors			
2011/05/14	A	B	修改图框格式				DONGKUN SUCCESS				单位 UNIT 比例 SCALE 图号 NUMBER 版次 REV MM 1/1 A-057 B				
日期 DATE	旧版次 OLD REV	新版次 NEW REV	变更内容 DESCRIPTION				角法 PROJECT				2007/05/03				



Section: A-A



Section: B-B

■ SPECIFICATIONS

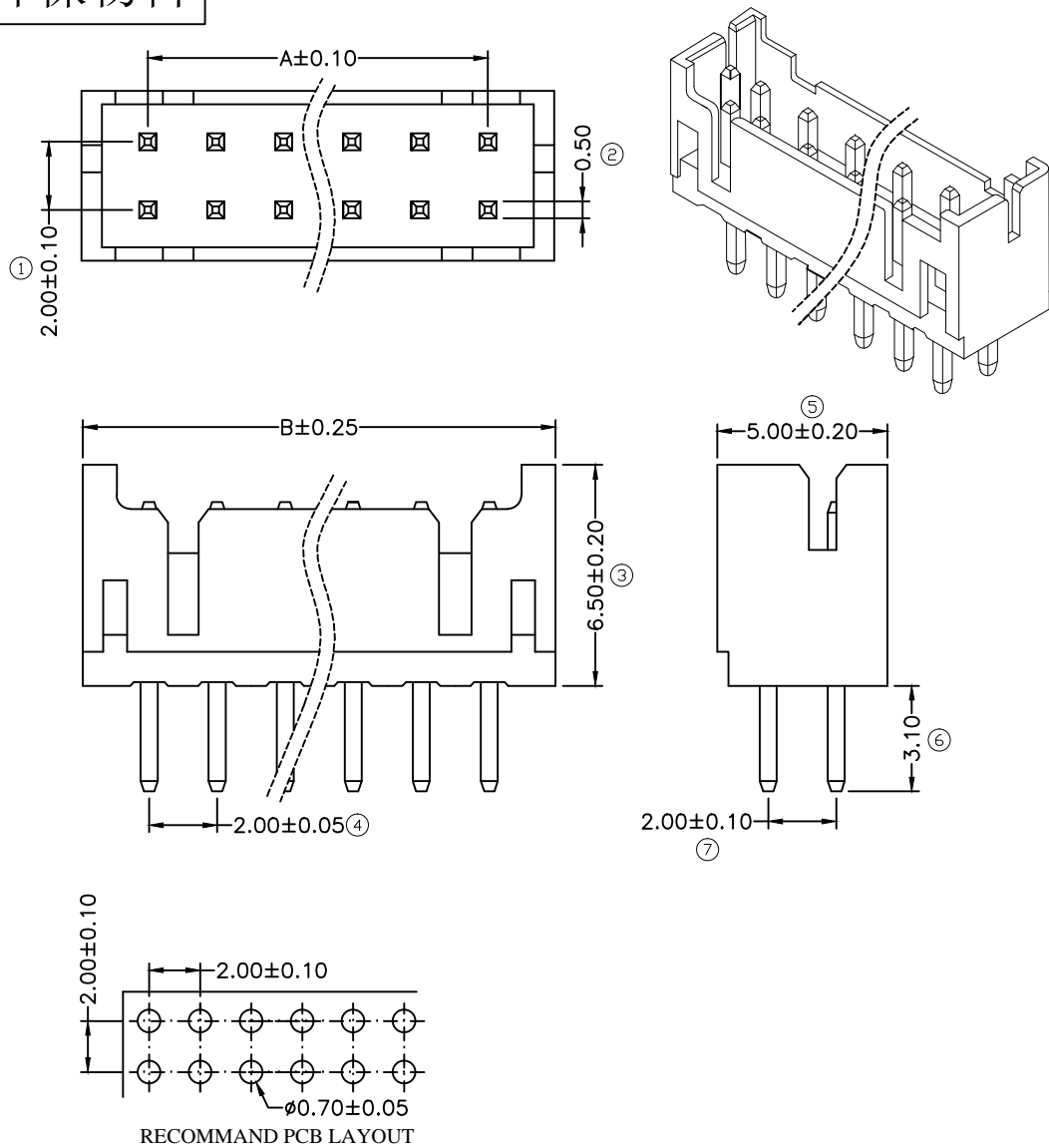
- Voltage rating : 250V AC, DC
- Current rating : 3A AC,DC
- Withstanding voltage : 800V AC/minute
- Insulation resistance : 100MΩ min.
- Temperature range : - 25 to + 85
- (Including temperature rise in applying electrical current)
- Contact resistance : Initial value/10MΩ max. after environmental testing/20MΩ max.

■ TERMINAL

- Part No. : J2002T
- Applicable wires : AWG# 22 - 28
- Material : Phosphor Bronze
- Finish : Tin plated
- Thickness : 0.2mm
- Used in J2002H series Housing
- Q'ty : 10,000 pcs/reel

							GENERAL TOLERANCE X ±0.30 .XX ±0.20 .XXX ±0.10				东莞市翰皓精密电子有限公司 Dongguan HanHao Precision Electronics Co.,Ltd				PART NO. J2002T															
							APPROVAL Smark				CHECK Yu wei				DRAWN Liu Yan				DATA 2011/05/22											
							PROJECT 				TITLE 2.0 mm Crimp Style Connectors				UNIT mm				SCALE 1:				NUMBER 8				REV B			
2011/05/22	A	B		Modify frame format	Jova	Jova Lau																								
DATE	OLD REV	NEW REV	ECN	DESCRIPTION	CHECK	APPROVAL																								

环保物料



■ Specifications(规格) :

- Voltage rating(额定电压): 250V AC / DC
- Current rating(额定电流): 3A AC / DC
- Withstanding voltage(耐压值): 800V AC/minute
- Temperature range(工作温度):  $-25^{\circ}\text{C} \sim +85^{\circ}\text{C}$
- Insulation resistance(绝缘电阻):  $\geq 1000\text{M}\Omega$
- Contact resistance(接触电阻):  $\leq 10\text{m}\Omega$
- After environmental testing(环境测试后):  $\leq 20\text{m}\Omega$

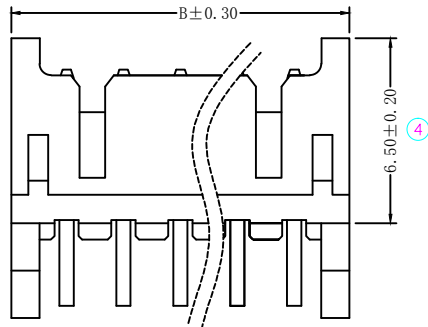
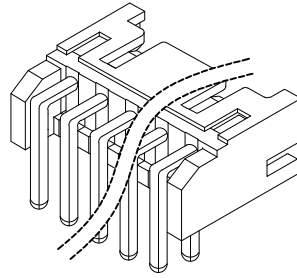
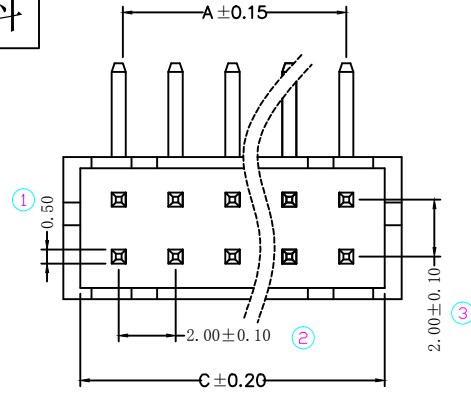
■ Wafer(针座)

- Part No. (料号) : J2002W-2\*XXP
- Poles (PIN数) : 4-44
- Material (材质) : Housing (胶壳) : Nylon 66 (尼龙66) UL 94V-0  
Pin针: Brass (黄铜)  
Finish (电镀) : Tin Plated Or Gold Flash (镀锡或镀金)
- Mates With J2002H Series Dual Row Housing (匹配J2002H双排系列胶壳)
- Q' ty (数量) : 1,000Pcs/Bag/每袋 (1,000Pcs)

Poles	Part No.	Dimension(mm)		Poles	Part No.	Dimension(mm)	
		A	B			A	B
04	J2002W-2*02P	2.00	6.00	26	J2002W-2*13P	24.00	28.00
06	J2002W-2*03P	4.00	8.00	28	J2002W-2*14P	26.00	30.00
08	J2002W-2*04P	6.00	10.00	30	J2002W-2*15P	28.00	32.00
10	J2002W-2*05P	8.00	12.00	32	J2002W-2*16P	30.00	34.00
12	J2002W-2*06P	10.00	14.00	34	J2002W-2*17P	32.00	36.00
14	J2002W-2*07P	12.00	16.00	36	J2002W-2*18P	34.00	38.00
16	J2002W-2*08P	14.00	18.00	38	J2002W-2*19P	36.00	40.00
18	J2002W-2*09P	16.00	20.00	40	J2002W-2*20P	38.00	42.00
20	J2002W-2*10P	18.00	22.00	42	J2002W-2*21P	40.00	44.00
22	J2002W-2*11P	20.00	24.00	44	J2002W-2*22P	42.00	46.00
24	J2002W-2*12P	22.00	26.00				

						一般公差 GENERAL TOLERANCE .X $\pm 0.3$ .XX $\pm 0.2$ .XXX $\pm 0.1$				东莞市翰皓精密电子有限公司 Dongguan HanHao Precision Electronics Co.,Ltd				料号 PART NO J2002W-XXP											
										品名 TITLE 2.0 mm Crimp Style connectors															
2011/05/14	A	B	修改图框格式			核准 APPD				审核 CHK				绘图 DR				日期 DATA							
日期 DATE	旧版次 OLD REV	新版次 NEW REV	变更内容 DESCRIPTION			审核 CHK				核准 APPD				角法 PROJECT				SUCCESS				2007/05/03			
						单位 UNIT				比例 SCALE				图号 NUMBER				版次 REV							
						MM				1/1				A-106				B							

环保物料

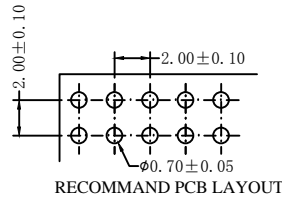
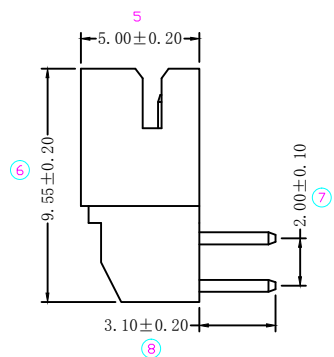


■ Specifications

- Voltage rating : 250V AC/DC
- Current rating : 3A AC/DC
- Withstanding voltage : 800V AC/Minute.
- Insulation resistance : 1,000MΩ Min.
- Temperature range : - 25℃ to + 85℃
- Contact resistance : Initial value/10mΩ Max.
- After environmental testing/20mΩ Max.

■ Wafer

- Part No. : J2001WR-XX
- Poles : 4-44
- Material : Contact : Brass, Tin plated or Gold flash  
Base : Nylon 66 UL94V-0
- Mates with HHB J2002 series dual row Housing
- Color: Gray White or Black
- Q ty: 1,000 Pcs/bag



Poles	Part No.	Dimension(mm)		
		A	B	C
04	J2002WR-2*02X	2.00	6.00	4.80
06	J2002WR-2*03X	4.00	8.00	6.80
08	J2002WR-2*04X	6.00	10.00	8.80
10	J2002WR-2*05X	8.00	12.00	10.80
12	J2002WR-2*06X	10.00	14.00	12.80
14	J2002WR-2*07X	12.00	16.00	14.80
16	J2002WR-2*08X	14.00	18.00	16.80
18	J2002WR-2*09X	16.00	20.00	18.80
20	J2002WR-2*10X	18.00	22.00	20.80
22	J2002WR-2*11X	20.00	24.00	22.80
24	J2002WR-2*12X	22.00	26.00	24.80
26	J2002WR-2*13X	24.00	28.00	26.80
28	J2002WR-2*14X	26.00	30.00	28.80
30	J2002WR-2*15X	28.00	32.00	30.80
32	J2002WR-2*16X	30.00	34.00	32.80
34	J2002WR-2*17X	32.00	36.00	34.80
36	J2002WR-2*18X	34.00	38.00	36.80
38	J2002WR-2*19X	36.00	40.00	38.80
40	J2002WR-2*20X	38.00	42.00	40.80
42	J2002WR-2*21X	40.00	44.00	42.80
44	J2002WR-2*22X	42.00	46.00	44.80

							一般公差 GENERAL TOLERANCE	东莞市翰皓精密电子有限公司 Dongguan HanHao Precision Electronics Co.,Ltd				料号 PART NO J2002WR-XX			
							. X ± 0.3	核准 APPD 审核 CHK 绘图 DR 日期 DATA				品名 TITLE 2.00 mm Crimp Style connectors			
							. XX ± 0.2					DONG SUCCESS			
2011/05/14	A	B	修改图框格式				. XXX ± 0.1	2007/05/03							
日期 DATE	旧版次 OLD REV	新版次 NEW REV	变更内容 DESCRIPTION				角法 PROJECT								