

■ Specifications

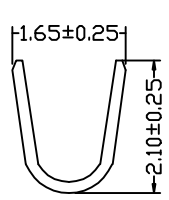
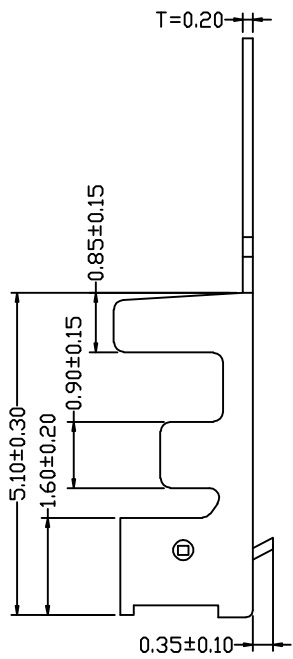
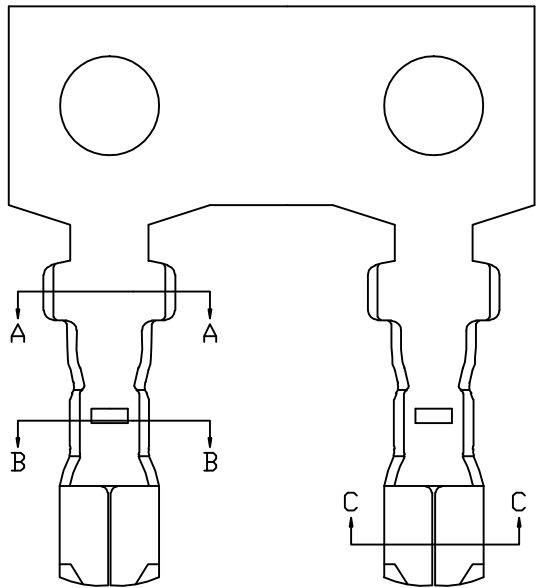
- Voltage Rating : 125V AC/DC
- Current Rating : 2A AC/DC.
- Withstanding Voltage : 800V AC/minute
- Insulation Resistance : 1000MΩ Max.
- Temperature Range : - 25 °C to + 85 °C
- Contact Resistance : 20mΩ Max.

■ Housing

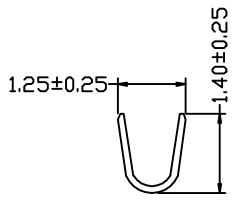
- Part No. : M2012H
- Poles : 02-15
- Material : Nylon 66 UL94V-0
- Suitable HLB M2012T Series Terminal
- Mates With HLB M2012H Series Wafer
- Q'ty: 1,000 Pcs/Bag

Poles	Part No	Dimensions (mm)	
		A	B
2	M2012H-02	2.00	6.20
3	M2012H-03	4.00	8.20
4	M2012H-04	6.00	10.20
5	M2012H-05	8.00	12.20
6	M2012H-06	10.00	14.20
7	M2012H-07	12.00	16.20
8	M2012H-08	14.00	18.20
9	M2012H-09	16.00	20.20
10	M2012H-10	18.00	22.20
11	M2012H-11	20.00	24.20
12	M2012H-12	22.00	26.20
13	M2012H-13	24.00	28.20
14	M2012H-14	26.00	30.20
15	M2012H-15	28.00	32.20

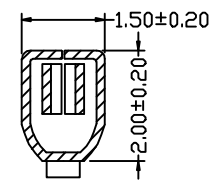
							GENERAL TOLERANCE X ±0.30 .XX ±0.20 .XXX ±0.10				东莞市翰皓精密电子有限公司 Dongguan HanHao Precision Electronics Co.,Ltd				PART NO. M2012H-XX											
							APPROVAL Smark				CHECK Yu wei				DRAWN Liu Yan				DATA 2011/05/22							
							PROJECT 				UNIT mm				SCALE 1 : 1				NUMBER 8				REV B			
							Modify frame format				Jova				Jova Lau											
2011/05/22	A	B					Modify frame format				Jova				Jova Lau											
DATE	OLD REV	NEW REV	ECN	DESCRIPTION			CHECK	APPROVAL			TITLE 2.0 mm Crimp Style Connectors															



Section: A-A



Section: B-B



Section: C-C

■ Specifications

- Voltage Rating: 125V AC / DC
- Current Rating: 2A AC / DC
- Withstanding Voltage: 800V AC/minute
- Insulation Resistance : 1000MΩ Min.
- Temperature Range : - 25 °C to + 85 °C
- Contact Resistance : 20mΩ Max.

■ Terminal

- Part No. : M2012T
- Applicable Wire: AWG#24-30
- Material : Phosphor Bronze
- Finish : Tin Plated
- Used in HLB M2012 Series Housing
- Q'ty : 10,000 Pcs/reel

							GENERAL TOLERANCE X ±0.30 XX ±0.20 XXX ±0.10				东莞市翰皓精密电子有限公司 Dongguan HanHao Precision Electronics Co.,Ltd				PART NO. M2012T											
							PROJECT 				APPROVAL Smark				CHECK Yu wei				DRAWN Liu Yan				DATA 2011/05/22			
							APPROVAL Jova				CHECK Jova Lau				TITLE 2.0 mm Crimp Style Connectors											
							DATE 2011/05/22				OLD REV A				NEW REV B				ECN /							
							DESCRIPTION Modify frame format				CHECK Jova				APPROVAL Jova Lau											

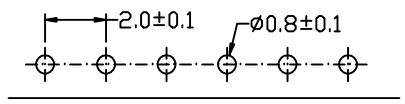
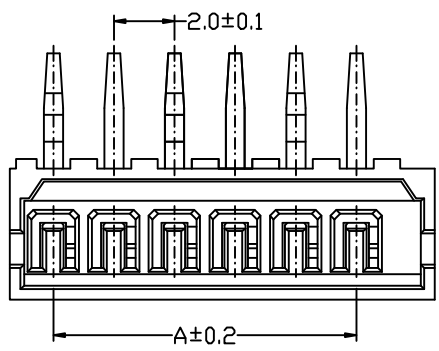
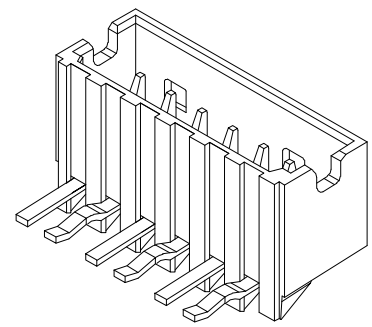
A

A

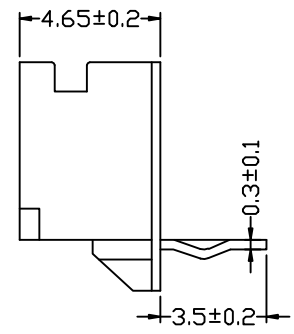
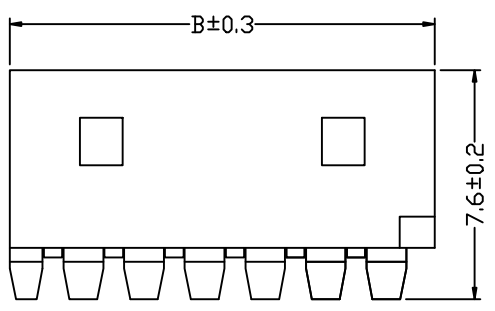
1 | 2 | 3 | 4 | 5 | 6 | 7 | 8

F
E
D
C
B
A

F
E
D
C
B
A



Recommend PCB Layout



■ Specifications

- Voltage Rating : 125V AC/DC
- Current Rating : 2A AC/DC.
- Withstanding Voltage : 800V AC/minute
- Insulation Resistance : 1000MΩ Max.
- Temperature Range : - 25℃ to + 85℃
- Contact Resistance : 20mΩ Max.

■ Wafer

- Part No.: M2012WR
- Poles: 2-15
- Material : Nylon 66 UL94V-0
- Q'ty: 1,000 Pcs/Bag

Poles	Part No	Dimensions (mm)	
		A	B
2	M2012WR-02	2.00	6.00
3	M2012WR-03	4.00	8.00
4	M2012WR-04	6.00	10.00
5	M2012WR-05	8.00	12.00
6	M2012WR-06	10.00	14.00
7	M2012WR-07	12.00	16.00
8	M2012WR-08	14.00	18.00
9	M2012WR-09	16.00	20.00
10	M2012WR-10	18.00	22.00
11	M2012WR-11	20.00	24.00
12	M2012WR-12	22.00	26.00
13	M2012WR-13	24.00	28.00
14	M2012WR-14	26.00	30.00
15	M2012WR-15	28.00	32.00

							GENERAL TOLERANCE X ±0.30 XX ±0.20 XXX ±0.10				东莞市翰皓精密电子有限公司 Dongguan HanHao Precision Electronics Co.,Ltd				PART NO. M2012WR-XX			
							APPROVAL Smark Yu wei Liu Yan				TITLE 2.0 mm Crimp Style Connectors							
							PROJECT 				UNIT mm							
							DATE 2011/05/22				SCALE 1:1							
							DATE 2011/05/22				NUMBER 8							
							DATE 2011/05/22				REV B							

1 | 2 | 3 | 4 | 5 | 6 | 7 | 8

1 | 2 | 3 | 4 | 5 | 6 | 7 | 8

F

F

E

E

D

D

C

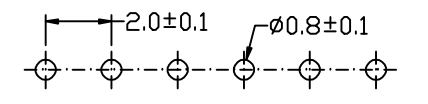
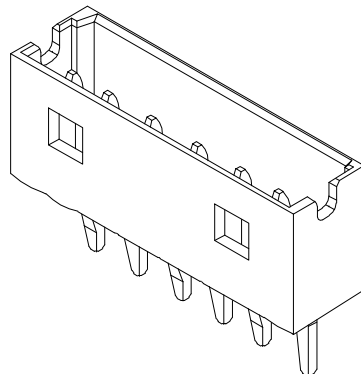
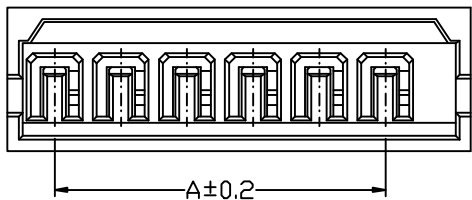
C

B

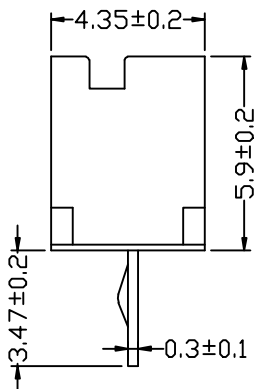
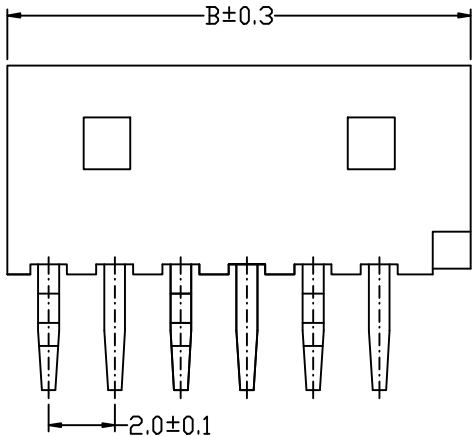
B

A

A



Recommend PCB Layout



- Specifications
- Voltage Rating : 125V AC/DC
 - Current Rating : 2A AC/DC.
 - Withstanding Voltage : 800V AC/minute
 - Insulation Resistance : 1000MΩ Min.
 - Temperature Range : - 25℃ to + 85℃
 - Contact Resistance : 20mΩ Max.

- Wafer
- Part No.: M2012WV
 - Poles: 2-15
 - Material: Pin: Phosphor Bronze/Tin-plated
 - Material : Nylon 66 UL94V-0
 - Mates With HLB M2012 Series Housing
 - Color: beige
 - Q'ty: 1,000 Pcs/Bag

Poles	Part No	Dimensions (mm)	
		A	B
2	M2012WV-02	2.00	6.00
3	M2012WV-03	4.00	8.00
4	M2012WV-04	6.00	10.00
5	M2012WV-05	8.00	12.00
6	M2012WV-06	10.00	14.00
7	M2012WV-07	12.00	16.00
8	M2012WV-08	14.00	18.00
9	M2012WV-09	16.00	20.00
10	M2012WV-10	18.00	22.00
11	M2012WV-11	20.00	24.00
12	M2012WV-12	22.00	26.00
13	M2012WV-13	24.00	28.00
14	M2012WV-14	26.00	30.00
15	M2012WV-15	28.00	32.00

							GENERAL TOLERANCE X ±0.30 XX ±0.20 XXX ±0.10				东莞市翰皓精密电子有限公司 Dongguan HanHao Precision Electronics Co.,Ltd				PART NO. M2012WV-XX			
				Modify frame format			Jova	Jova Lau			TITLE 2.0 mm Crimp Style Connectors							
2011/05/22	A	B									APPROVAL CHECK DRAWN DATA Smark Yu wei Liu Yan 2011/05/22							
DATE	OLD REV	NEW REV	ECN	DESCRIPTION	CHECK	APPROVAL	PROJECT				UNIT	SCALE	NUMBER	REV				
							⊕				mm	1:1	8	B				

1 | 2 | 3 | 4 | 5 | 6 | 7 | 8