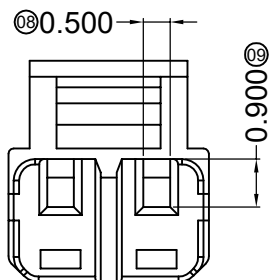
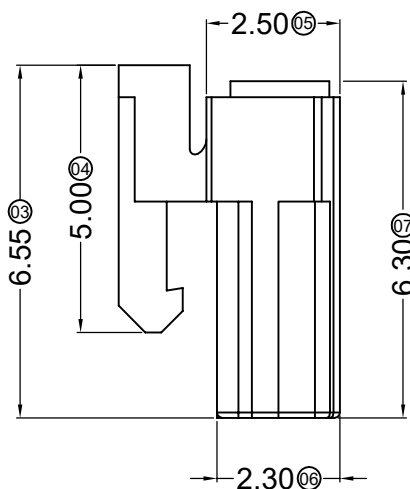
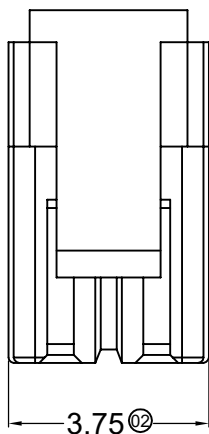
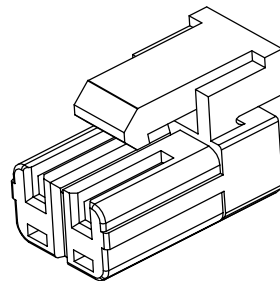
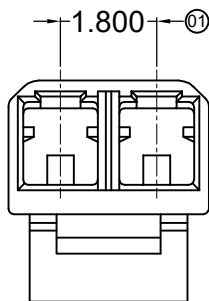


■ Specifications :

- Voltage rating: 350V AC / DC
- Current rating: 3.2A AC / DC
- Withstanding voltage: 1700V AC/minute
- Temperature range: -40°C~+105°C
- Insulation resistance: ≥1000MΩ
- Contact resistance: ≤10mΩ
- After environmental testing: ≤20mΩ
- Suitable HLB Terminal: M1801TX-A
M1801TX-A-01
- Suitable HLB Wafer: M1801WRS-02A

- ① Series No.M1801H
- ② Welding Board Angle: ordinary
- ③ Row No.-Pin No.: 02P
- ④ Special No.: With Lock
- ⑤ Material: PA66 94V-0
- ⑥ Halogen free
- ⑦ None-Natural Color ; Black Color

A	2018/06/13	C	D	/	Add black color	Joshua	Smark	GENERAL TOLERANCE .X ±0.30 .XX ±0.20 .XXX ±0.10 PROJECT 	东莞市翰皓精密电子有限公司 Dongguan HanHao Precision Electronics Co.,Ltd				PART NO. M1801H-02A			
	2017/11/21	B	C		EN20171121001	Drawing finish	Yu wei						Jacky	TITLE 1.80mm Crimp Style Connectors		
	2015/04/23	A	B	/	Modify drawing frame format	jian.He			APPROVAL	CHECK	DRAWN	DATA	UNIT	SCALE	NUMBER	REV
	DATE	OLD REV	NEW REV	ECN	DESCRIPTION	CHECK	APPROVAL		Smark	Guo	Wuxiaotao	2014/06/26	MM	1 : 1	A-022	D
	1		2		3		4		5		6		7		8	



■ Specifications :

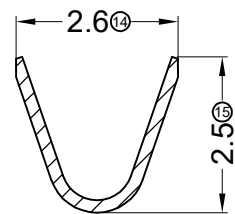
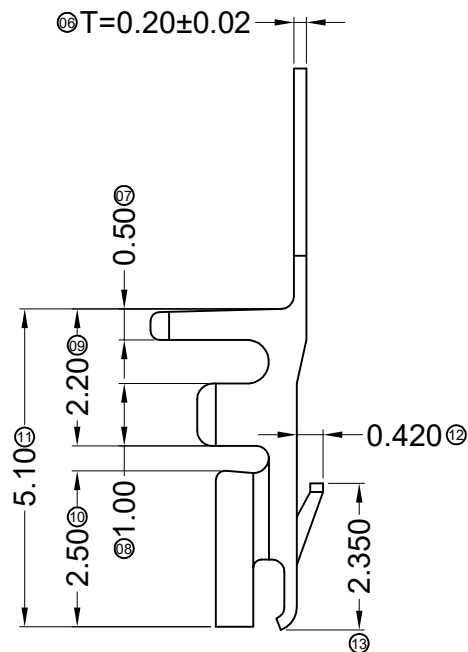
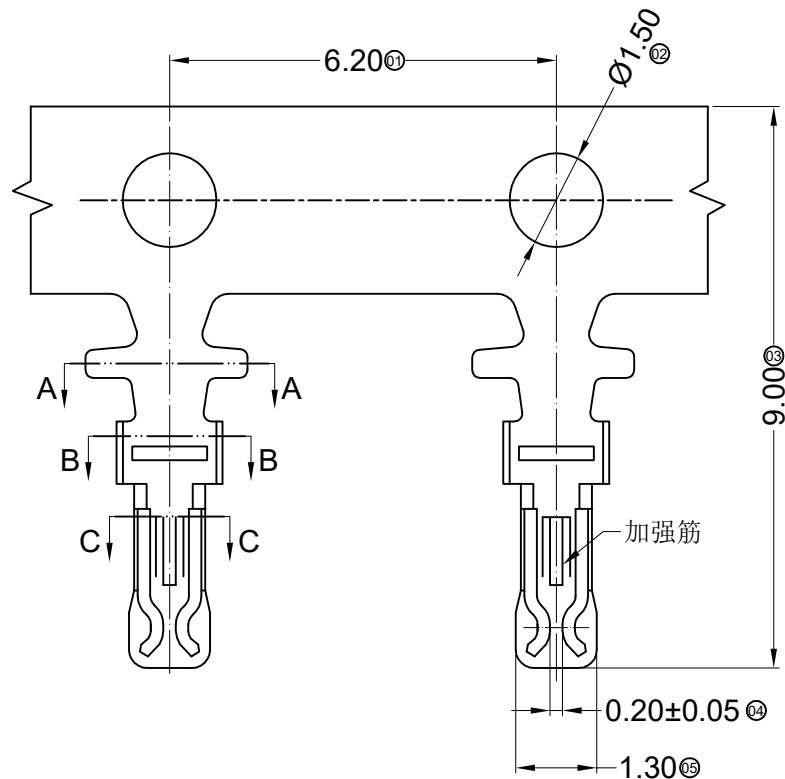
- Voltage rating: 350V AC / DC
- Current rating: 3.2A AC / DC
- Withstanding voltage: 1700V AC/minute
- Temperature range: -40°C~+105°C
- Insulation resistance: ≥1000MΩ
- Contact resistance: ≤10mΩ
- After environmental testing: ≤20mΩ

- Suitable HLB Terminal: M1801T-BX
- Suitable HLB Wafer: M1801WRS-02B

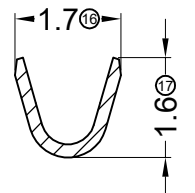
- ① Series No: M1801H
- ② Row No.-Pin No.: 02P
- ③ Special No: Short Body With Lock
- ④ Material: PA66 94V-0
- ⑤ Halogen Free

A	2017/11/21	D	E	ER20171121001	Drawing finish	Yu wei	Jacky	GENERAL TOLERANCE .X ±0.30 .XX ±0.20 .XXX ±0.10 PROJECT 	东莞市翰皓精密电子有限公司 Dongguan HanHao Precision Electronics Co.,Ltd				PART NO. M1801H-02B			
	2017/08/17	C	D	ER20170817001	Add Fillet	Alan qin	Tang						TITLE 1.80mm Crimp Style Connectors			
	2016/07/04	B	C	ER20160704001	Modify the Lock shape	Kerin	Joshua		APPROVAL	CHECK	DRAWN	DATA	UNIT	SCALE	NUMBER	REV
	DATE	OLD REV	NEW REV	ECN	DESCRIPTION	CHECK	APPROVAL		Smark	Guo	Sylvia	2014/01/17	MM	1:1	A-022	D

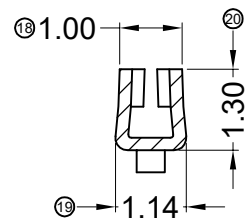
1 2 3 4 5 6 7 8



SECTION A-A
SCALE 1:1



SECTION B-B
SCALE 1:1



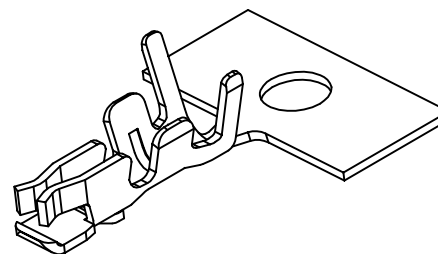
SECTION C-C
SCALE 1:1

■ Specifications :

- Voltage rating: 350V AC / DC
- Current rating: 3.2A AC / DC
- Withstanding voltage: 1700V AC/minute
- Temperature range: -40°C~+105°C
- Insulation resistance: ≥1000MΩ
- Contact resistance: ≤10mΩ
- After environmental testing: ≤20mΩ

- Wire Size: AWG#22~26(0.35~0.13mm²)
- Insulation O.D.: 1.30mm Max
- Used In HLB Housing: M1801H-02B

- ① Series Number: M1801T
- ② Shape: ordinary
- ③ Material: Phosphor bronze
- ④ Plating Style: Bright tin plating
- ⑤ B TYPE

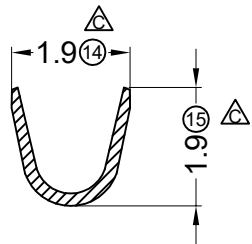
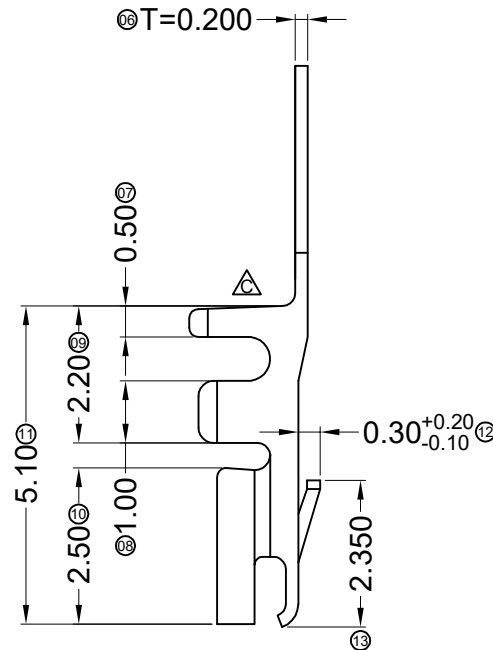
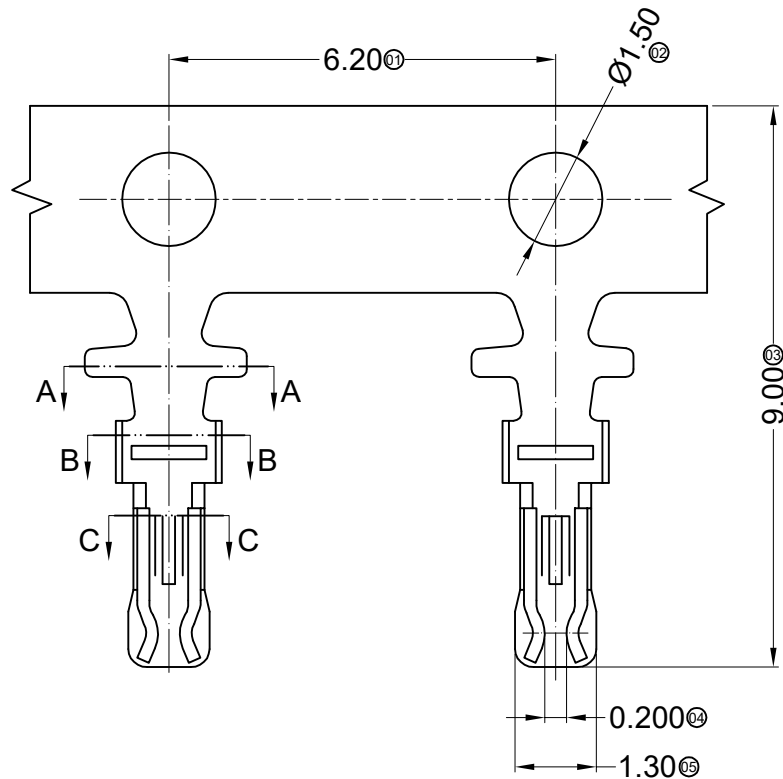


DATE	OLD REV	NEW REV	ECN	DESCRIPTION	CHECK	APPROVAL
1			2			
3						
4						

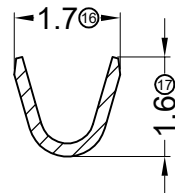
GENERAL TOLERANCE	
.X	±0.30
.XX	±0.20
.XXX	±0.10
PROJECT	
①	②

东莞市翰皓精密电子有限公司 Dongguan HanHao Precision Electronics Co.,Ltd			
APPROVAL	CHECK	DRAWN	DATA
Smark	Guo	Sylvia	2018/08/01

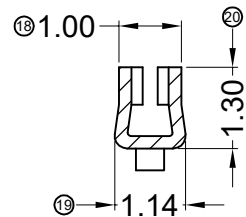
PART NO. M1801T-B			
TITLE 1.80mm Crimp Style Connectors			
UNIT MM	SCALE 1:1	NUMBER A-014	REV A



SECTION A-A
SCALE 1:1



SECTION B-B
SCALE 1:1



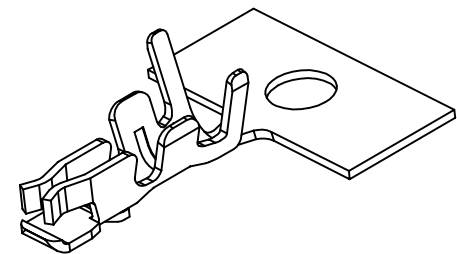
SECTION C-C
SCALE 1:1

■ Specifications :

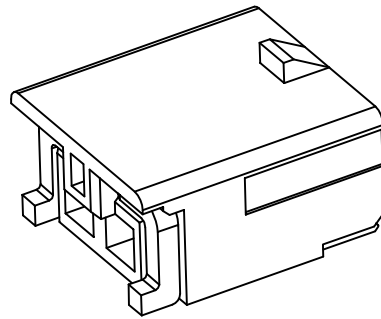
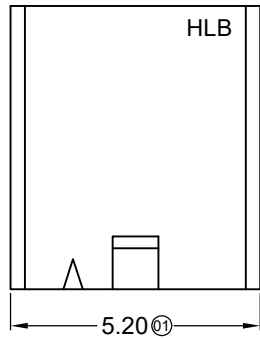
- Voltage rating: 350V AC / DC
- Current rating: 3.2A AC / DC
- Withstanding voltage: 1700V AC/minute
- Temperature range: -40°C~+105°C
- Insulation resistance: ≥1000MΩ
- Contact resistance: ≤10mΩ
- After environmental testing: ≤20mΩ

- Wire Size: AWG#22~26(0.35~0.13mm²)
- Insulation O.D.: 1.30mm Max
- Used In HLB Housing: M1801H-02B

- ① Series Number: M1801T
- ② Shape: ordinary
- ③ Material: Phosphor bronze
- ④ Plating Style: Bright tin plating
- ⑤ Plating method: Stamping before plating
- ⑥ B TYPE Tight



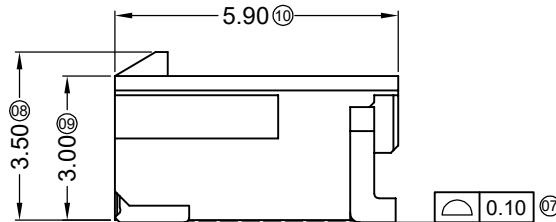
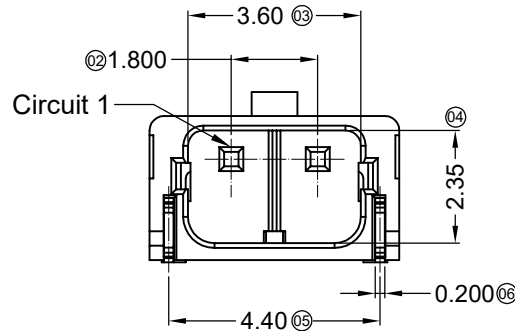
							GENERAL TOLERANCE .X ±0.30 .XX ±0.20 .XXX ±0.10				东莞市翰皓精密电子有限公司 Dongguan HanHao Precision Electronics Co.,Ltd				PART NO. M1801T-BT											
2018/08/31 B C ER20180831001 Change the DIM(14)(15) Jacky Smark							APPROVAL Smark				CHECK GUO				DRAWN Sylvia				DATA 2014/01/17				TITLE 1.80mm Crimp Style Connectors			
2017/11/21 A B EN20171121001 Drawing finish Yu wei Jacky																										
DATE	OLD REV	NEW REV	ECN	DESCRIPTION	CHECK	APPROVAL	PROJECT	UNIT	SCALE	NUMBER	REV	UNIT	SCALE	NUMBER	REV	UNIT	SCALE	NUMBER	REV							
1			2					MM	1:1	A-014	C	MM	1:1	A-014	C	MM	1:1	A-014	C							



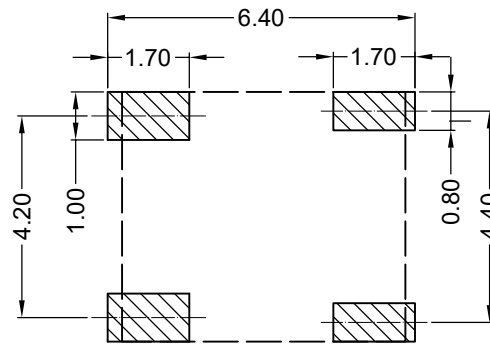
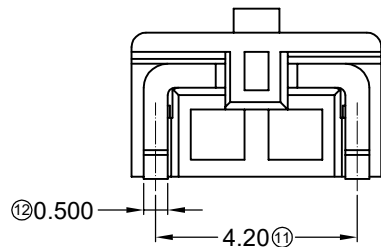
Specifications :

- Voltage rating: 350V AC / DC
- Current rating: 3.2A AC / DC
- Withstanding voltage: 1700V AC/minute
- Temperature range: -40°C~+105°C
- Insulation resistance: $\geq 1000M\Omega$
- Contact resistance: $\leq 10m\Omega$
- After environmental testing : $\leq 20m\Omega$

- Material(Pin&Solder tab):Brass
- Mates With HLB Housing:M1801H-02A

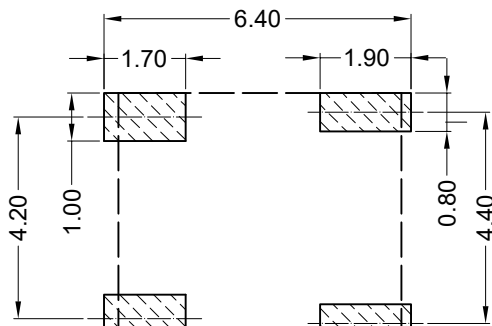
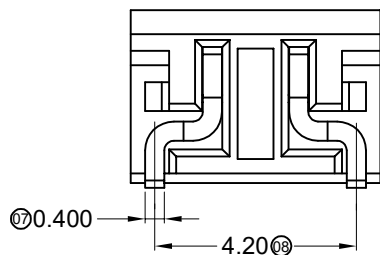
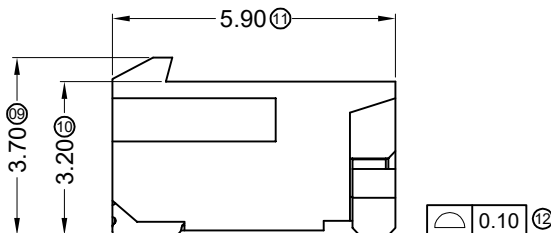
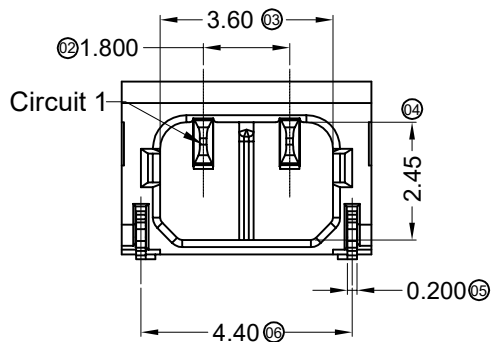
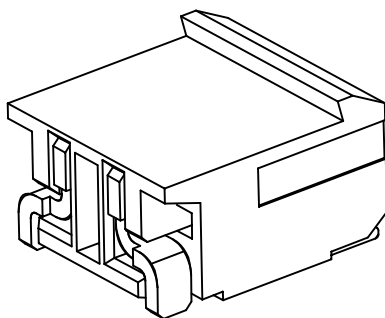
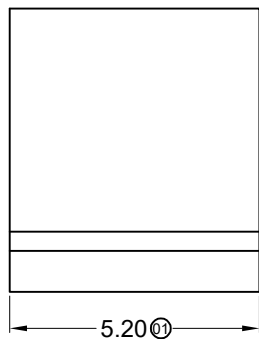


- ① Series No:M1801W
- ② Welding Board Angle : Right Angle 90°
- ③ Welding Way: SMT
- ④ Row No.-Pin No.: 02P
- ⑤ Plug the Pin & Special No.: With Lock
- ⑥ Material: LCP 94V-0
- ⑦ Plating Category: Matte Tin Plating
- ⑧ Color : Natural Color
- ⑨ Special code: Package reverse
Blank-ordinary



Recommended P.C.B Layout
General Tolerance ± 0.05

							GENERAL TOLERANCE	东莞市翰皓精密电子有限公司				PART NO. M1801WRS-02A			
							.X ± 0.30	Dongguan HanHao Precision Electronics Co.,Ltd				TITLE 1.80mm Crimp Style Connectors			
							.XX ± 0.20	APPROVAL	CHECK	DRAWN	DATA				
							.XXX ± 0.10					UNIT	SCALE	NUMBER	REV
DATE	OLD REV	NEW REV	ECN	DESCRIPTION	CHECK	APPROVAL	PROJECT	JohnYang				MM	1 : 1	A-000	A
1															



Recommended P.C.B Layout
General Tolerance±0.05

■ Specifications :

- Voltage rating: 350V AC / DC
- Current rating: 4A AC / DC
- Withstanding voltage: 1700V AC/minute
- Temperature range: -40°C~+105°C
- Insulation resistance: ≥1000MΩ
- Contact resistance: ≤30mΩ
- After environmental testing : ≤40mΩ

- Material(Pin&Solder tab):Brass
- Mates With HLB Housing:M1801H-02B

- ① Series No:M1801W
- ② Welding Board Angle: Right Angle 90°
- ③ Welding Way: SMT
- ④ Row No.-Pin No.: 02P
- ⑤ Special No.: With Lock
- ⑥ Material: PA4T 94V-0
- ⑦ Plating Category: Matte Tin Plating
- ⑧ Color : Natural Color

							GENERAL TOLERANCE	东莞市翰皓精密电子有限公司 Dongguan HanHao Precision Electronics Co.,Ltd				PART NO. M1801WRS-02B				
A	2017/11/21	B	C	EN20171121001	Drawing finish	Yu wei	Jacky	.X ±0.30	APPROVAL				TITLE 1.80mm Crimp Style Connectors			
	2016/10/11	A	B	EN20161011001	塑胶尾部增加倒角, 改善IR后断裂	sylvia	Jacky	.XX ±0.20	Smark	Guo	LZX	2016/04/11				
								.XXX ±0.10					UNIT MM	SCALE 1:1	NUMBER A-000	REV C
	DATE	OLD REV	NEW REV	ECN	DESCRIPTION	CHECK	APPROVAL	PROJECT								